



Zentron Visitor and Employee Sign-In Kiosk with Temperature Check

Industry-leading, automated personnel check-in kiosk.





Zentron Sign-In Kiosks with Temperature Check

Non-contact kiosks automatically read body temperature in seconds, with optional facial recognition. The Zentron kiosk range is designed to provide a safe environment for your employees, customers and visitors.

Screen all individuals before entry to public and private premises such as;



Office buildings



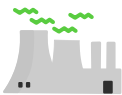
Supermarkets and grocery stores



Retail stores and shopping malls



Hotels and airports



Manufacturing plants and factories



Schools



Healthcare settings



Universities

The Zentron kiosks are powered by VisiPoint software, designed for automated visitor and employee sign-in. All purchases of Zentron kiosks include your VisiPoint software.

Key features



Reads temperature in ~1 second



Optional mask detection



User journey builder to customise the sign-in process



Contact tracing is made easy with reports and logs



Optional ID badge printing



Email alerts notifying members of staff about high temperatures



Face ID

Optional facial recognition to recognise and allow entry to vetted individuals



Touchless agreements and questionnaires using gesture recognition



APIs - Integrate with other applications to send scan information and update user database



Scan QuickPass QR code to sign-in - coming soon! (Not available on LD-AITemp-Device model)



Monitor your device from another screen with the HDMI output function. (Not available on LD-AITemp-Device model)



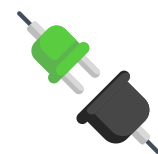
1-year standard warranty with optional upgrade to extended 3-year warranty



Remote cloud management to monitor logs and control devices



Battery-powered option with 12+ hours continuous power



Plug and play solution – can operate standalone with power only

Accurate temperature detection

- ✓ Reads temperature in ~ 1 second
- ✓ Top of the range German manufactured temperature sensor
- ✓ Marginal measurement error of $\pm 0.5^{\circ}\text{C}/\pm 0.9^{\circ}\text{F}$
- ✓ The recommended distance for the most accurate readings is 0.5 metres, with 1 metre being the furthest distance where temperature can be read
- ✓ Temperature threshold for abnormal temperatures is easily adapted in the application settings



Durable, commercial-grade hardware

- ✓ 8-inch IPS full-view LCD display
- ✓ Commercial-grade, waterproof and dust-proof design which is durable and reliable
- ✓ Built-in speakers provide audio alerts including warnings for abnormal temperatures and to request that users wear a mask
- ✓ Integrated RFID reader for reading access cards and fobs.
- ✓ Calibrated and quality assured in the UK

Smart facial recognition

- ✓ Industrial-grade binocular wide dynamic camera, night infrared and LED dual photo flood lamp
- ✓ Face recognition speed is ~ 1 second
- ✓ Database capacity for 30,000 faces
- ✓ Supports recognition and comparison of faces with masks
- ✓ The 1:1 comparison recognition rate is more than 99.7%, the 1:N comparison recognition rate is more than 96.7% at a 0.1% misrecognition rate, and the live detection accuracy rate is 98.3% at a 1% mis rejection rate



Visitor and employee vaccine tracking for the workplace

Check the COVID-19 vaccination status of your visitors and employees easily on entry to your premises.

With VisiPoint you can read, verify and securely track your visitor's and employee's vaccination records as they sign into your facilities. Comply with regulations in your local area by requiring proof of vaccination or negative test results on entry for workers, visitors and customers.



Self-service vaccination certificate scanning on entry to premises

Email alerts sent to admins when users fail to provide valid certification

View and export your entry logs with the vaccination status for every user

Integration with international certification to verify validity of certifications

Compatible with international COVID-19 certification standards

Our visitor and employee vaccine tracking feature is compatible with a range of international digital COVID-19 certificates covering a number of US states, the UK and Europe.

- ✓ EU Digital COVID Certificate - Read, verify and store data functionality
- ✓ NHS (Domestic/International) - Read, verify and store data functionality
- ✓ NYS Excelsior Pass & NYS Excelsior Pass Plus - Read and store data functionality
- ✓ Smart Health Card (SHC) - Read and store data functionality

Vaccination certificate scanning is available on the LamasaTech Zentron 8 (Gen 2) and Zentron 15 models only as the built-in QR code scanner is required. With the LD-AITemp model, you can subscribe to VisiPoint Cloud to manage vaccination/PCR status from the dashboard instead.

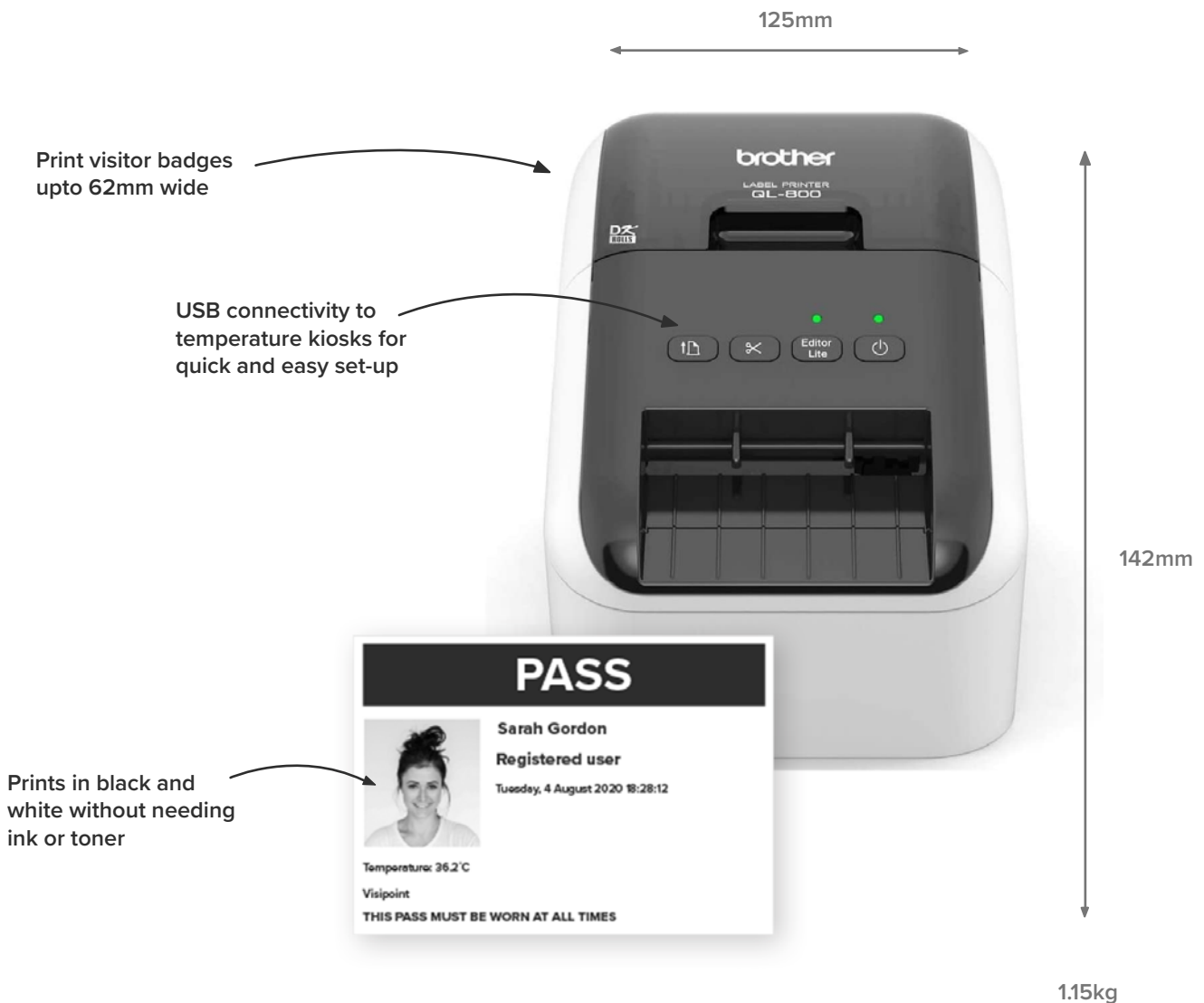
Email alerts

The email alerts feature allows the system to send an email to a specified set of email addresses whenever a scan fails due to high temperature, no mask, or both.

ID badge printing

The badge printing feature allows the system to print a badge whenever a successful scan is completed. The criteria for when a badge is printed and what is displayed on the badge can be set in print badge settings.

In order to print badges, connect a Brother QL-800 printer to the kiosk via USB. The badges are designed to be printed on DK-2205 / DK-22205 continuous paper label rolls.



LD-AITemp-Device (Gen 1) - Kiosk Features



Facial recognition camera

Capture photos for visitor badges directly from the device.

Facial recognition allows for quick and easy sign-in for registered users in the database.

Temperature measurement

A built-in temperature reader that uses thermal imaging to accurately read your temperature

Easy personalisation

On-screen personalisation

Ruggedised

Ruggedised, commercial-grade hardware designed for use in public environments.

Standard RFID reader

Sign-in using your existing access cards and fobs. Reads standard Mifare cards, 13.56 Mhz and 125 KHz.

Zentron 8 (Gen 2) - Kiosk Features

Temperature measurement

A detachable temperature reader that uses thermal imaging to accurately read your temperature

Touch screen

The kiosk can be operated non-touch where non-contact scanning is preferred

HDMI output

This allows the device screen to be mirrored to another screen for monitoring, particularly useful for reception or security staff to monitor the device from behind their desk/screen

Ruggedised

Ruggedised, commercial-grade hardware designed for use in public environments



Facial recognition camera

Capture photos for visitor badges directly from the device.

Facial recognition allows for quick and easy sign-in for registered users in the database

Easy personalisation

On-screen personalisation

Multi-frequency RFID reader

Sign-in using your existing access cards and fobs. Reads a large variety of frequencies including HID, 13.56Mhz, 125Khz, Mifare, NFC, PAC and Paxton.

QR code reader

The built-in QR code reader scans QR code entry passes

Mounting and Configuration

Mount the device onto an existing surface or select a desk stand, freestanding floor stand or wall mount.



Desktop mount & kiosk



Surface mount

Floor stand & kiosk



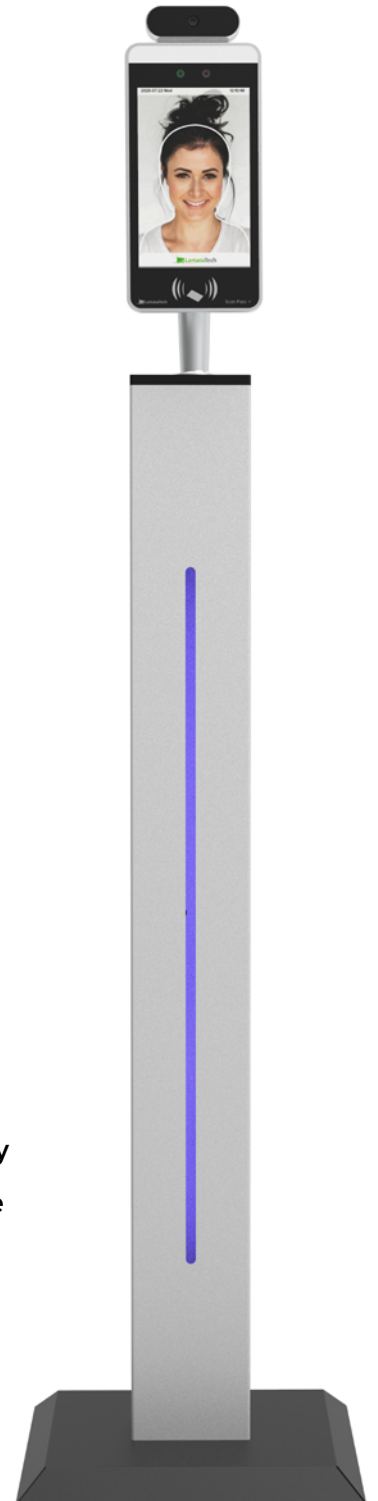
Wall mount & kiosk



Badge printer & mount - can be attached to the floor stand or directly onto a wall



Zentron battery pack with case



Zentron 15 - Kiosk Features

Temperature measurement

A detachable temperature reader that uses thermal imaging to accurately read your temperature

Ruggedised

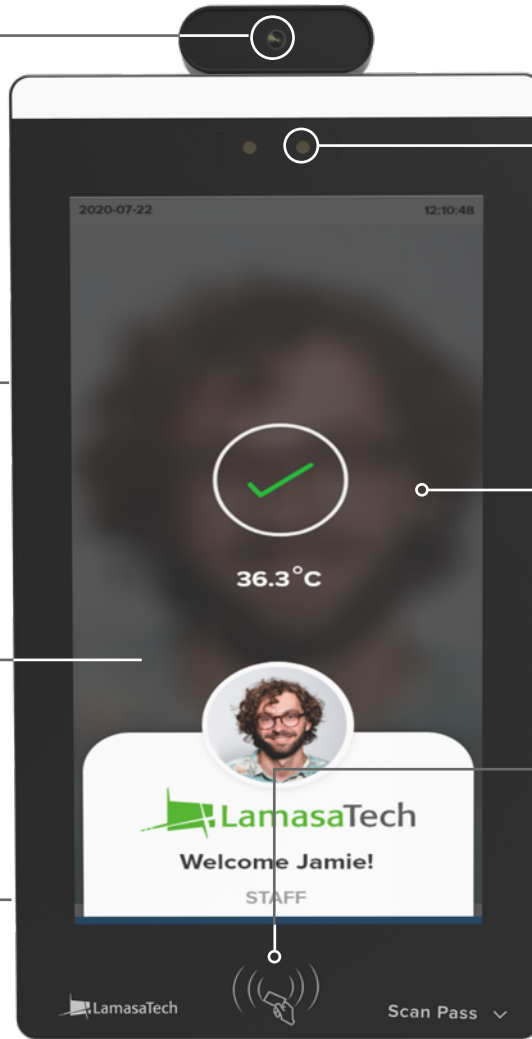
Ruggedised, commercial - grade hardware designed for use in public environments

Anti-glare coating

Anti-glare coating with a smooth to the touch finish

HDMI output

This allows the device screen to be mirrored to another screen for monitoring, particularly useful for reception or security staff to monitor the device from behind



Facial recognition camera

Capture photos for visitor badges directly from the device. Facial recognition allows for quick and easy sign-in for registered users in the database

Touch screen

Vivid 15-inch IPS full-view LCD touch screen (temperature scanning platform only operates fully non-touch)

Multi-frequency RFID reader

Sign-in using your existing access cards and fobs. Reads a large variety of frequencies including HID, 13.56Mhz, 125Khz, Mifare, NFC, PAC and Paxton.

QR code reader

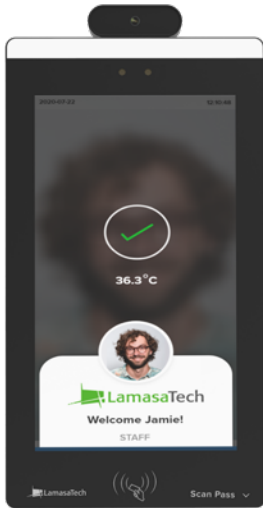
The built-in QR code reader scans QR code entry passes

Matt black casing

Striking 15-inch IPS full-view LCD touch screen with matt black casing

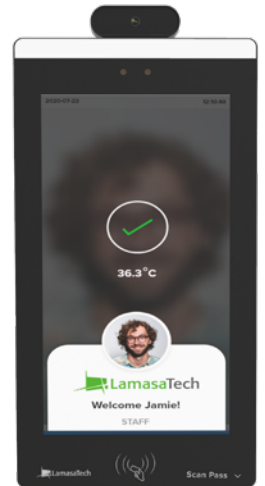
Mounting and Configuration

Mount the device onto an existing surface or select a wall mount or freestanding floor stand.



Badge printer & mount - can be attached to the floor stand or directly onto a wall

Floor stand & kiosk



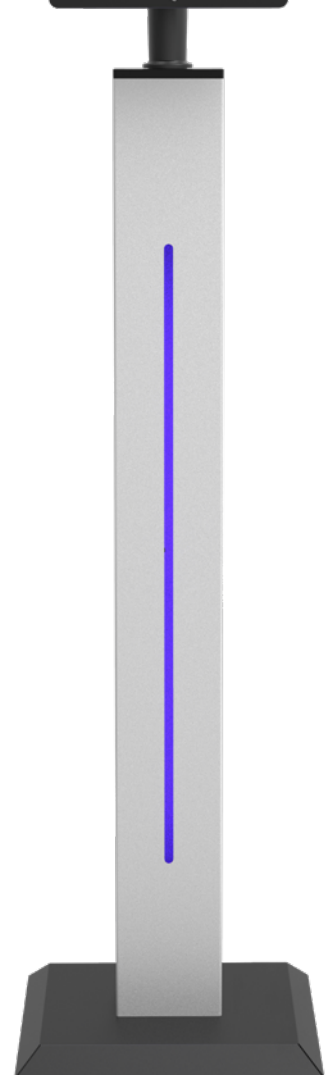
Wall mount



Zentron battery pack with case



Surface mount



Mounting Options

Turnstile Integration

Integrate the device with turnstile access using our dry relay connection, to allow turnstiles to open to staff and/or visitors that pass the acceptable temperature threshold.





VisiPoint Cloud - Remote management platform

VisiPoint Cloud is the number one visitor and employee sign-in platform. It's the perfect partner for LamasaTech's Zentron kiosks. Say goodbye to exporting logs, changing settings and importing users on every kiosk.

With VisiPoint Cloud you can monitor live entry logs, control your kiosks and manage your sign-in process, all in one place. Access the platform anywhere, from any device with a browser – such as your desktop, tablet or mobile device. All data is stored securely in the cloud using geographically compliant server data management in the US, Canada, UK & EU.

VisiPoint Cloud allows you to:

- ✓ Improve reporting accuracy and save time by accessing up-to-date logs for all devices
- ✓ Check the status of your kiosks and fix any issues quickly without having to leave your desk
- ✓ Save time managing your user lists, such as your staff directory, remotely
- ✓ Build your user journeys online and apply these to your kiosks in seconds
- ✓ Design and edit your compliance checks across your device fleet
- ✓ Create custom user types to track your different user groups e.g. vaccinated and non-vaccinated employees
- ✓ Access track and trace reports to quickly identify individuals who may have been in contact on a particular day
- ✓ Upload vaccination certificates to user profiles, manage expiry dates and monitor vaccination status in one place

Zentron Extended Warranty (3 Years)



Extend the 1-year standard warranty included to a 3-year standard warranty. Upon receipt of the faulty device, LamasaTech will repair the fault or send a replacement device.

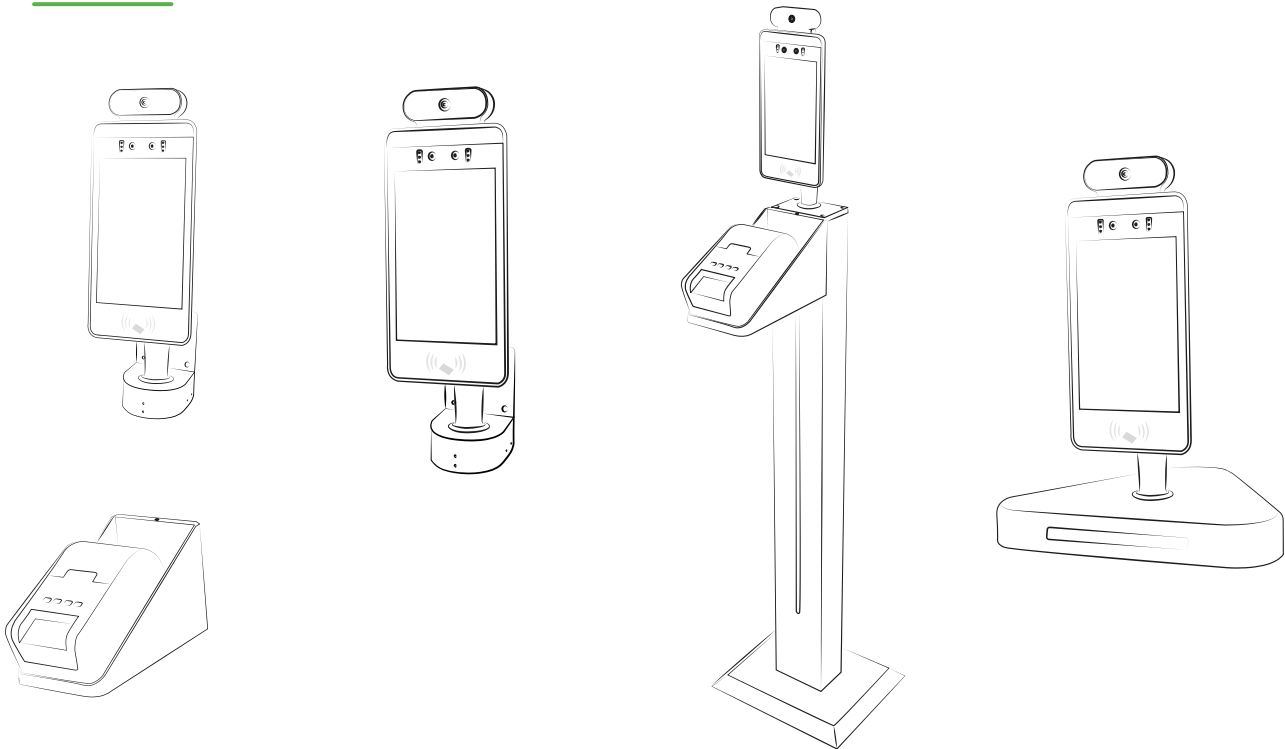
Zentron Care Plan



With the Zentron Care Plan, you'll benefit from Advanced Replacement Protection and a guaranteed Service Level Agreement (SLA).

With Advanced Replacement Protection, a replacement device will be sent to you within 1 working day of a fault being registered. To ensure minimal downtime, you will return the original device to LamasaTech only once you receive the new device. If the model you possess is no longer in production you will receive the next product line. Our SLA guarantees all support tickets will receive a response within 1 working day.

Kiosk placement



Do not place the device directly :

- Facing the sun or in a location where the sun is directly facing the person
- In front or near an air outlet of an air conditioning or radiator device during measurement
- In front or near to strong infrared emitting light
- In a room where heating/cooling ducts are in the ceiling or directly below ceiling ducts

The above can cause changes to the forehead temperature. Measurements should be taken in a stable environment.

Do not measure body temperature in an environment with:

- Strong electromagnetic interference (examples include places close to a working microwave, induction appliances) as EM interference may cause errors in the reading or even device failure.

Product Codes

LD-AITemp-Device (Gen 1)

Model Name	Product Code	Product Notes
Temperature Pass Management & Face Recognition Surface Fixed Terminal	LD-AITemp-Device	Kiosk Device Only – On Pole To Be Mounted To Existing Surface
Temperature Pass Management & Face Recognition Wall Terminal	LD-AITemp-Wall Device	Kiosk Device With Wall Mount
Temperature Pass Management & Face Recognition Terminal on a Pedestal	LD-AITemp-FMKiosk	Kiosk Device With Freestanding Floor Mount
Temperature Pass Management & Face Recognition Terminal on a Desk Stand	LD-AITemp-DMKiosk	Kiosk Device With Portable Desktop Stand
Temperature Kiosk Pedestal Floor Mount	LD-AITemp-Floor-Mount	Freestanding Floor Mount Only
Temperature Kiosk Desktop Stand	LD-AITemp-Desk-Mount	Desktop Stand Only

Product Codes

Zentron 8 (Gen 2)

Model Name	Product Code	Product Notes
Zentron 8” Visitor and Employee Sign-In Kiosk with Temperature Measurement fixed terminal	LT-Zentron8-T	Zentron 8 Kiosk Device Only – On Pole To Be mounted To Existing Surface
Zentron 8” Visitor and Employee Sign-In Kiosk with Temperature Measurement on Desk Stand	LT-Zentron8-T-DESK	Kiosk Device With Portable Desktop Stand
Zentron 8” Visitor and Employee Sign-In Kiosk with Temperature Measurement on a Pedestal	LT-Zentron8-T-FLOOR	Kiosk Device With Freestanding Floor Mount
Zentron 8” Visitor and Employee Sign-In Kiosk with Temperature Measurement Wall Terminal	LT-Zentron8-T-RT-WALL	Kiosk Device With Wall Mount

Product Codes

Zentron 15

Model Name	Product Code	Product Notes
Zentron 15” Visitor and Employee Sign-In Kiosk with Temperature Measurement fixed terminal	LT-Zentron15-T	Zentron 15 Kiosk Device Only – On Pole To Be mounted To Existing Surface
Zentron 15” Visitor and Employee Sign-In Kiosk with Temperature Measurement on Desk clamp	LT-Zentron15-DClamp	Kiosk Device With Portable Desktop Clamp
Zentron 15” Visitor and Employee Sign-In Kiosk with Temperature Measurement on a Pedestal	LT-Zentron15-FLOOR	Kiosk Device With Freestanding Floor Mount

Accessories

Wall Mount	LT-Zentron-RTWall-ACC	Wall Mount
Printer Mount	LT-Zentron-Pmount-ACC	Printer Mount

Specifications - LD-AITemp-Device (Gen 1)

Model	Temperature Pass Management Module & Face Recognition Kiosk	
Camera	Resolution	2 million pixels
	Type	Binocular wide dynamic camera
	Aperture	F2.4
	Focusing distance	50-150cm
	White balance	Auto
	Photo flood light	LED and IR dual photot flood light
Screen	Size	8.0 inch IPS LCD screen
	Resolution	800x1280
	Touch	Not supported (optional upgrade)
Processor	CPU	RK3288 quad-core (optional upgrades - RK3399 six-core, MSM8953 eight-core)
	Storage	EMMC 8G
Interface	Network module	Ethernet and wireless (WIFI)
	Audio	2.5W/4R Speakers
	USB	1 USB OTG, 1 USB HOST standard A port
	Serial Communication	1 RS232 Serial Port
	Relay Output	1 Door open Signal Output
	Wiegand	One Wiegand 26/34 output, one Wiegand 26/34 output.
	Upgrade button	Support Uboot upgrade button
	Wired network	1 RJ45 Ethernet socket
Functions	Face database library	Upto 30,000
	1:N face recognition	Support
	1:1 face comaprison	Support

Functions cont.

Stranger detection	Supported
Identify distance	Supported
Auto-update	Over the air or via USB
Deployment method	Support public cloud deployment, or standalone.
Alerts feature	Email notifications for high temperature readings.
ID badge printing	The badge printing feature allows the system to print a badge whenever a successful scan is completed.
Public APIs	Register and delete faces, upload scanned records

Infrared Thermal Imaging Module

Temperature detection	Supported – Optional feature which can be disabled if not required
Temperature detection distance	1 meter (3.2 feet) (optimal distance is 0.5 meter)
Temperature error rate	$\pm 0.5^{\circ}\text{C}$, $\pm 0.9^{\circ}\text{F}$
Temperature measurement range	$10^{\circ}\text{C} \sim 42^{\circ}\text{C}$, $50 \sim 107.6^{\circ}\text{F}$
Thermal field of view	$32^{\circ} \times 32^{\circ}$
Normal temperature confirmation	Supported – Optional settings for verbal confirmation message and success light can be configured.
Abnormal temperature alarm	Supported – Temperature threshold can be configured as well as optional settings for verbal warning message and warning light

General Parameters

Power	Input: 100-240V Output: 12V ($\pm 10\%$)
Operating temperature	$0^{\circ}\text{C} \sim 60^{\circ}\text{C}$, $32^{\circ}\text{F} \sim 140^{\circ}\text{F}$
Storage temperature	$-20^{\circ}\text{C} \sim 60^{\circ}\text{C}$, $-4^{\circ}\text{F} \sim 140^{\circ}\text{F}$
Power Consumption	13.5W (max)
Installation method	4 configurations available – surface, wall mount, desktop stand mount, freestanding pedestal mount

**General Parameters
cont.**

Size	H260.18 x W132.88 x D25 (mm)
Packing list	Kiosk terminal (1), power adapter for your region (1), mount of choice (1)

Modules

Standard RFID reader	Reads standard Mifare cards, 13.56 KHz 125 Mhz (Wiegand connection)
-------------------------	--

Gross Weight (Boxed)

Standard packed kiosk	2.2kg
Floor stand	6kg
Floor stand base	3kg
Desktop mount	2.8kg
Wall mount	0.6kg

Net Weight

Kiosk and pole	1.6kg
Floor stand	5.2kg
Floor stand base	2.6kg
Desktop mount	2.5kg
Wall mount	0.5kg

**Accessories Gross
Weight (Boxed)**

Battery and case	4kg
Printer mount	2kg

Accessories Net Weight

Battery	1.5kg
Battery case	2.1kg
Printer mount	1.4kg

Specifications - Zentron 8 (Gen 2)

Model	Temperature Pass Management Module & Face Recognition Kiosk	
Camera	Resolution	2 million pixels
	Type	Binocular wide dynamic camera
	Aperture	F2.4
	Focusing distance	50-150cm
	White balance	Auto
	Photo flood light	LED and IR dual photot flood light
Screen	Size	8.0 inch IPS LCD screen
	Resolution	800x1280
	Touch	PCAP multitouch screen
Processor	CPU	RK3288 quad-core
	Storage	EMMC 8G
Interfaces	Network module	Ethernet and wireless (WIFI)
	Audio	2.5W/4R Speakers
	USB	1 USB OTG, 1 USB HOST standard A port
	Serial Communication	1 RS232 Serial Port
	Relay Output	1 Door open Signal Output
	HDMI output	Yes (Mirror mode)
	Wiegand	One Wiegand 26/34 output, one Wiegand 26/34 output.
	Upgrade button	Support Uboot upgrade button
	Wired network	1 RJ45 Ethernet socket
	Wireless network	2.4Ghz/5Ghz frequencies supported
Functions	Face database library	Upto 30,000
	1:N face recognition	Supported
	1:1 face comaprison	Supported

Functions cont.

Stranger detection	Supported
Identify distance	Supported
Auto-update	Over the air or via USB
Deployment method	Support public cloud deployment, or standalone.
Alerts feature	Email notifications for high temperature readings.
ID badge printing	The badge printing feature allows the system to print a badge whenever a successful scan is completed.
Public APIs	Register and delete faces, upload scanned records

Infrared Thermal Imaging Module (German manufactured)

Temperature detection	Supported – Optional feature which can be disabled if not required
Temperature detection distance	1 meter (3.2 feet) (optimal distance is 0.5 meter)
Temperature error rate	$\pm 0.5^{\circ}\text{C}$, $\pm 0.9^{\circ}\text{F}$
Temperature measurement range	$10^{\circ}\text{C} \sim 42^{\circ}\text{C}$, $50 \sim 107.6^{\circ}\text{F}$
Thermal field of view	$32^{\circ} \times 32^{\circ}$
Normal temperature confirmation	Supported – Optional settings for verbal confirmation message and success light can be configured.
Abnormal temperature alarm	Supported – Temperature threshold can be configured as well as optional settings for verbal warning message and warning light

General Parameters

Power	Input: 100-240V Output: 12V ($\pm 10\%$)
Operating temperature	$0^{\circ}\text{C} \sim 60^{\circ}\text{C}$, $32^{\circ}\text{F} \sim 140^{\circ}\text{F}$
Storage temperature	$-20^{\circ}\text{C} \sim 60^{\circ}\text{C}$, $-4^{\circ}\text{F} \sim 140^{\circ}\text{F}$
Power Consumption	13.5W (max)
Installation method	4 configurations available – surface, wall mount, desktop stand mount, freestanding pedestal mount

General Parameters

cont.

Size	H269.18 x W132.88 x D25 (mm)
Packing list	Kiosk terminal (1), power adapter for your region (1), mount of choice (1)

Modules

QR code reader	Dedicated 1D/2D barcode reader active mode
Multi-frequency RFID reader	<p>ISO14443A: LEGIC Advant1), MIFARE Classic EV12), MIFARE Classic, MIFARE Mini, MIFARE DESFire EV1, MIFARE DESFire EV22) , MIFARE Plus S, X, MIFARE Pro X3), MIFARE Smart MX3) , MIFARE Ultralight, MIFARE Ultralight C, MIFARE Ultralight EV1</p> <p>ISO14443B: Calypso3), Calypso Innovatron protocol3), CEPAS3), HID iCLASS1), Moneo3), Pico Pass4) , SRI4K, SRIX4K, SRI512, SRT512</p> <p>ISO18092 ECMA-340: NFC Forum Tag 1-5, NFC Peer-to-Peer, Sony FeliCa5), NFC Active and passive communication mode</p> <p>ISO15693: EM4x333), EM4x353), HID iCLASS1), HID iCLASS SE/SR1), ICODE SLI, LEGIC Advant1) , M24LR16/64, MB89R118/119, SRF55Vxx (my-d vicinity)3), Tag-it, PicoPass4)</p> <p>125 kHz, 134.2 kHz: AWID, Cardax, CASI-RUSCO, Deister6), EM4100, 4102, 42007), EM4050, 4150, 4450, 4550, EM43058), FDX-B, EM4105, HITAG 19), HITAG 29), HITAG S9), ICT8), IDTECK, Isonas8), Keri, Miro, Nedap6), PAC, Pyramid, Q5, T5557, T5567, T5577, TIRIS/HDX, TITAN (EM4050), UNIQUE, ZODIAC</p>

Modules cont.

Multi-frequency RFID reader cont. Cotag, G-Prox6), HID DuoProx II, HID ISO Prox II, HID Micro Prox, HID ProxKey III, HID Prox, HID Prox II, Indala, ioProx, Nexwatch

HID iCLASS10), HID iCLASS SE/SR/SE-OS(CSN and Facility Code/PAC)10) , HID iCLASS Elite & SE Elite

Gross Weight (Boxed)

Standard packed kiosk	2.2kg
Floor stand	6kg
Floor stand base	3kg
Desktop mount	2.8kg
Wall mount	0.6kg

Net Weight

Kiosk and pole	1.6kg
Floor stand	5.2kg
Floor stand base	2.6kg
Desktop mount	2.5kg
Wall mount	0.5kg

Accessories Gross Weight (Boxed)

Battery and case	4kg
Printer mount	2kg

Accessories Net Weight

Battery	1.5kg
Battery case	2.1kg
Printer mount	1.4kg

Specifications - Zentron 15

Model	Temperature Pass Management Module & Face Recognition Kiosk	
Camera	Resolution	2 million pixels
	Type	Binocular wide dynamic camera
	Aperture	F2.4
	Focusing distance	50-150cm
	White balance	Auto
	Photo flood light	LED and IR dual photot flood light
	Screen	Size
Resolution		800x1280
Touch		PCAP multitouch screen
Glass		Anti-Glare glass
Processor	CPU	RK3288 quad-core
	Storage	EMMC 8G
Interfaces	Network module	Ethernet and wireless (WIFI)
	Audio	2.5W/4R Speakers
	USB	1 USB OTG, 1 USB HOST standard A port
	Serial Communication	1 RS232 Serial Port
	Relay Output	1 Door open Signal Output
	HDMI output	Yes (Mirror mode)
	Wiegand	One Wiegand 26/34 output, one Wiegand 26/34 output.
	Upgrade button	Support Uboot upgrade button
	Wired network	1 RJ45 Ethernet socket
	Wireless network	2.4Ghz/5Ghz frequencies supported
Functions	Face database library	Upto 30,000
	1:N face recognition	Supported
	1:1 face comaprison	Supported

Functions cont.

Stranger detection	Supported
Identify distance	Supported
Auto-update	Over the air or via USB
Deployment method	Support public cloud deployment, or standalone.
Alerts feature	Email notifications for high temperature readings.
ID badge printing	The badge printing feature allows the system to print a badge whenever a successful scan is completed.
Public APIs	Register and delete faces, upload scanned records

Infrared Thermal Imaging Module (German manufactured)

Temperature detection	Supported – Optional feature which can be disabled if not required
Temperature detection distance	1 meter (3.2 feet) (optimal distance is 0.5 meter)
Temperature error rate	± 0.5°C, ± 0.9°F
Temperature measurement range	10°C ~ 42°C, 50 ~ 107.6°F
Thermal field of view	32° x 32°
Normal temperature confirmation	Supported – Optional settings for verbal confirmation message and success light can be configured.
Abnormal temperature alarm	Supported – Temperature threshold can be configured as well as optional settings for verbal warning message and warning light

General Parameters

Power	Input: 100-240V Output: 12V (±10%)
Operating temperature	0°C ~ 60°C, 32°F ~ 140°F
Storage temperature	-20°C ~ 60°C, -4°F ~ 140°F
Power Consumption	13.5W (max)
Installation method	3 configurations available – surface, desktop clamp mount, freestanding pedestal mount

General Parameters
cont.

Size	H488.67 x W248 x D20.70(mm)
Packing list	Kiosk terminal (1), power adapter for your region (1), mount of choice (1)

Modules

QR code reader	Deticated 1D/2D barcode reader active mode
Multi-frequency RFID reader	<p>ISO14443A: LEGIC Advant1), MIFARE Classic EV12), MIFARE Classic, MIFARE Mini, MIFARE DESFire EV1, MIFARE DESFire EV22) , MIFARE Plus S, X, MIFARE Pro X3), MIFARE Smart MX3) , MIFARE Ultralight, MIFARE Ultralight C, MIFARE Ultralight EV1</p> <p>ISO14443B: Calypso3), Calypso Innovatron protocol3), CEPAS3), HID iCLASS1), Moneo3), Pico Pass4) , SRI4K, SRIX4K, SRI512, SRT512</p> <p>ISO18092 ECMA-340: NFC Forum Tag 1-5, NFC Peer-to-Peer, Sony FeliCa5), NFC Active and passive communication mode</p> <p>ISO15693: EM4x333), EM4x353), HID iCLASS1), HID iCLASS SE/SR1), ICODE SLI, LEGIC Advant1) , M24LR16/64, MB89R118/119, SRF55Vxx (my-d vicinity)3), Tag-it, PicoPass4)</p> <p>125 kHz, 134.2 kHz: AWID, Cardax, CASI-RUSCO, Deister6), EM4100, 4102, 42007), EM4050, 4150, 4450, 4550, EM43058), FDX-B, EM4105, HITAG 19), HITAG 29), HITAG S9), ICT8), IDTECK, Isonas8), Keri, Miro, Nedap6), PAC, Pyramid, Q5, T5557, T5567, T5577, TIRIS/HDX, TITAN (EM4050), UNIQUE, ZODIAC</p>

Modules cont.

Multi-frequency
RFID reader cont. Cotag, G-Prox6), HID DuoProx II, HID ISO Prox II, HID Micro Prox, HID ProxKey III, HID Prox, HID Prox II, Indala, ioProx, Nexwatch

HID iCLASS10), HID iCLASS SE/SR/SE-OS(CSN and Facility Code/PAC)10) , HID iCLASS Elite & SE Elite

Gross Weight (Boxed)

Standard packed kiosk	5.7kg
Floor stand	5.7kg
Floor stand base	8.4kg

Net Weight

Kiosk and pole	5.1kg
Floor stand	4.9kg
Floor stand base	8.3kg
Kiosk and wall mount	4.6kg

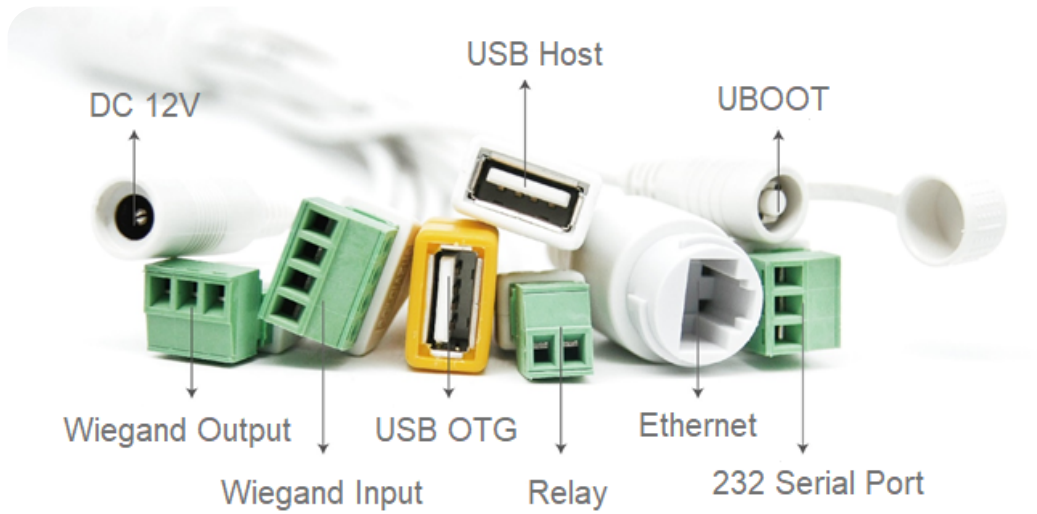
Accessories Gross Weight (Boxed)

Battery and case	4kg
Printer mount	2kg

Accessories Net Weight

Battery	1.5kg
Battery case	2.1kg
Printer mount	1.4kg

Wire Interface Definition



The interface of each terminal is defined as follows:

Relay Terminal electrical definition

Pin 1	COM
Pin 1	N300

Wiegand Input Terminal electrical definition

Pin 1	D0_IN
Pin 2	D1_IN
Pin 3	12V
Pin 4	GND

Wiegand Output Terminal electrical definition

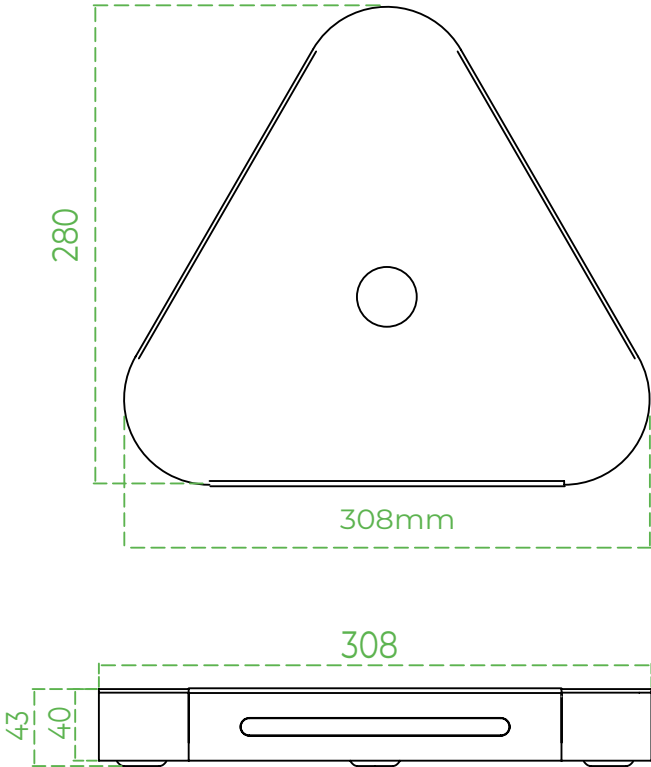
Pin 1	D0_OUT
Pin 2	D1_OUT
Pin 3	GND

232 Serial Port Terminal electrical definition

Pin 1	232_RX1
Pin 2	232_TX1
Pin 3	GND

Technical Drawings

Desk Mount



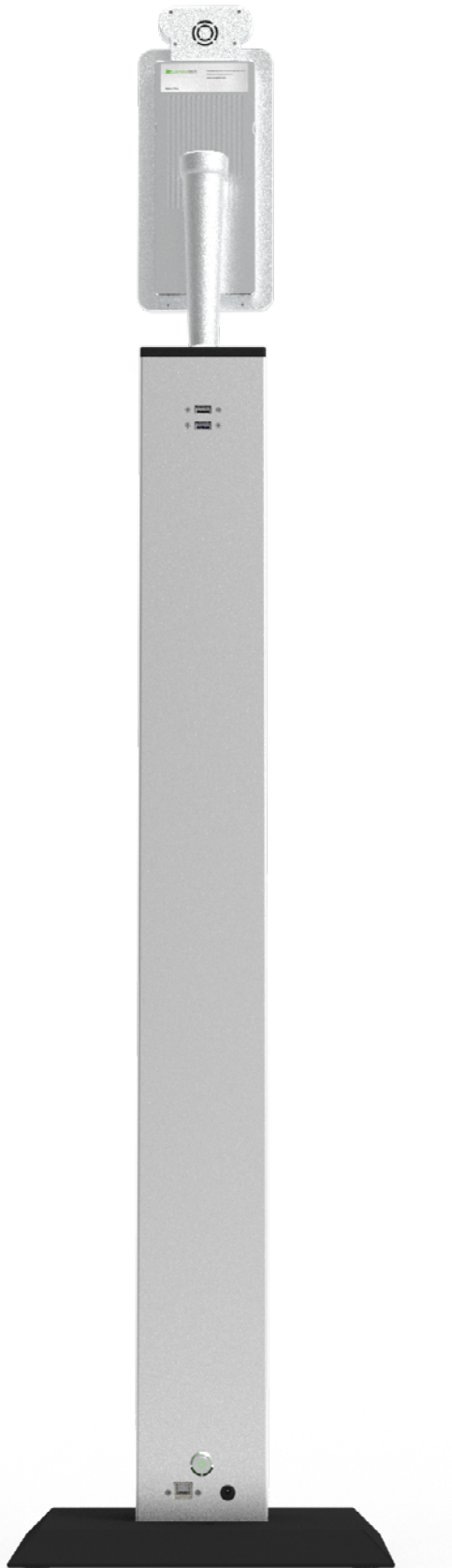
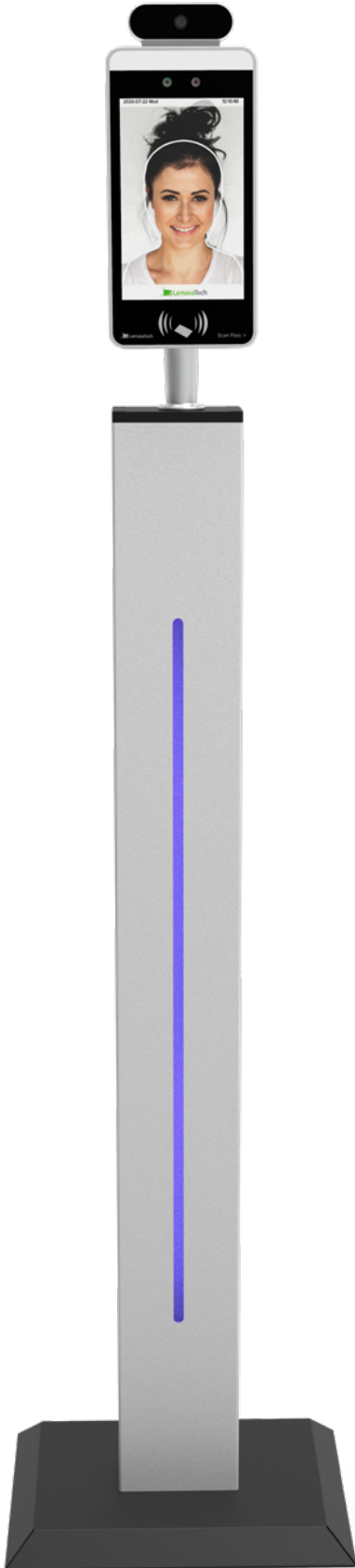
Technical Drawings

Surface Mount

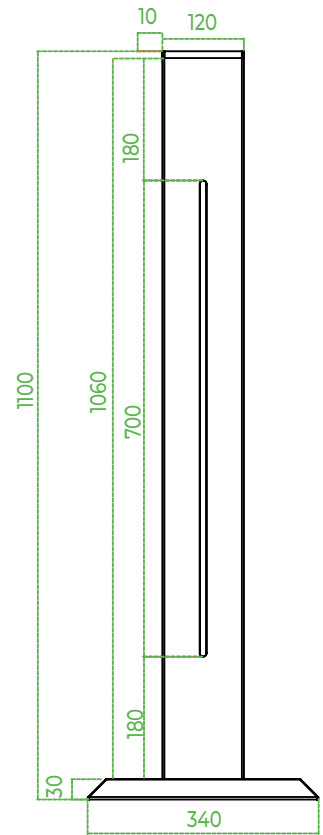


Technical Drawings

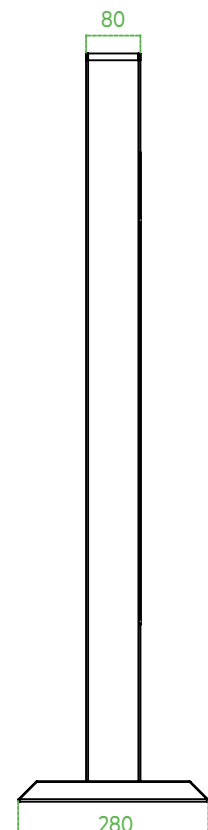
Freestanding floor mount



Front view

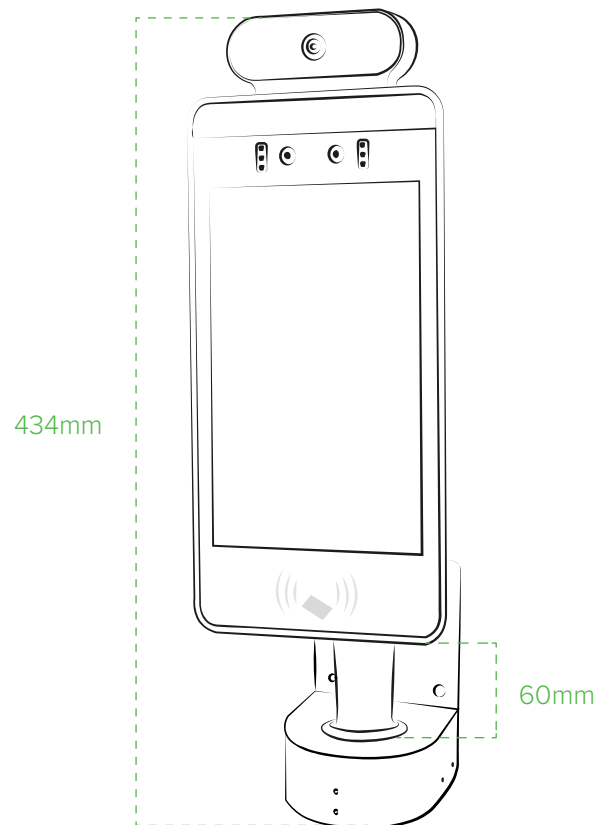
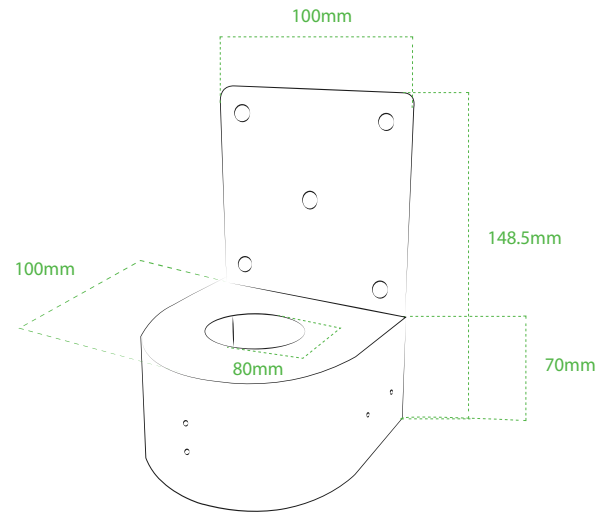


Side view



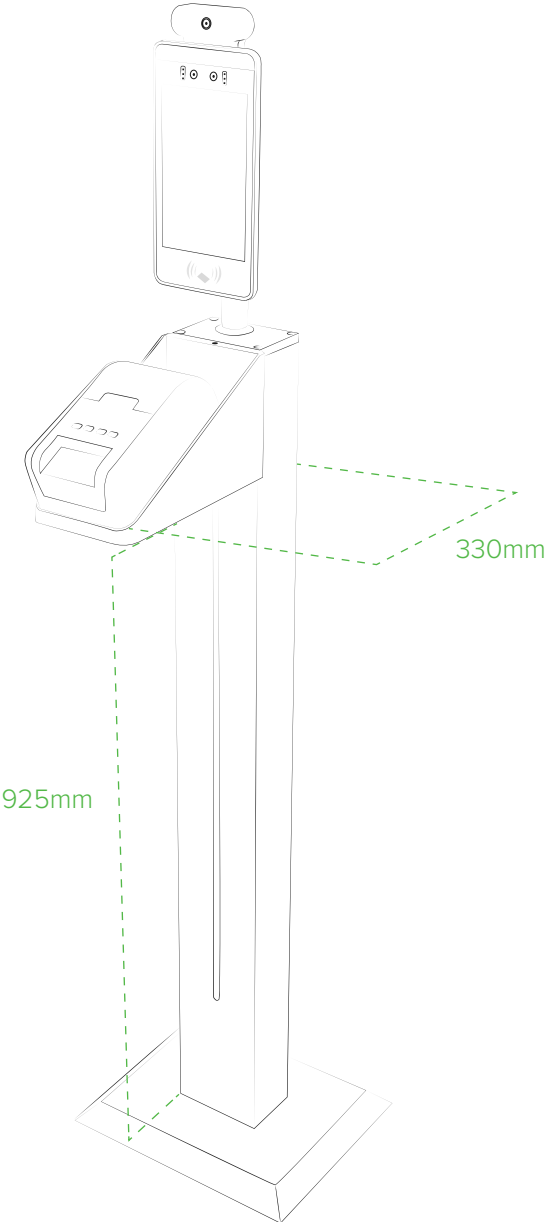
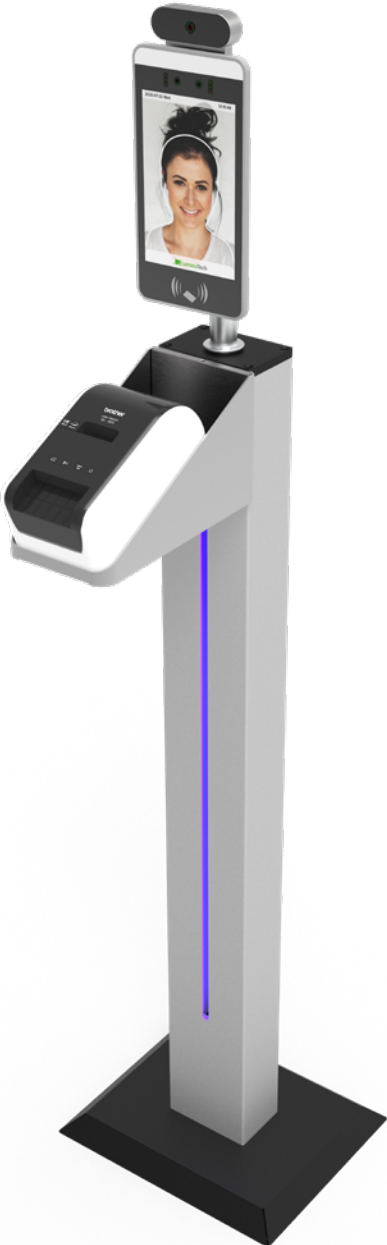
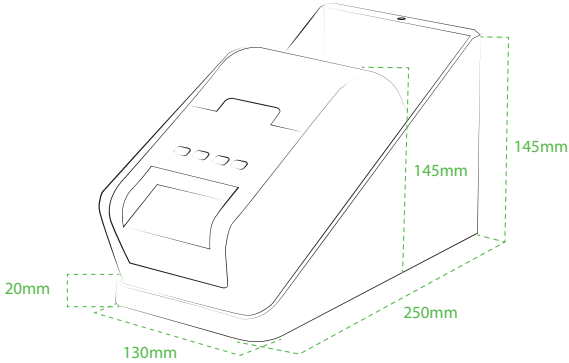
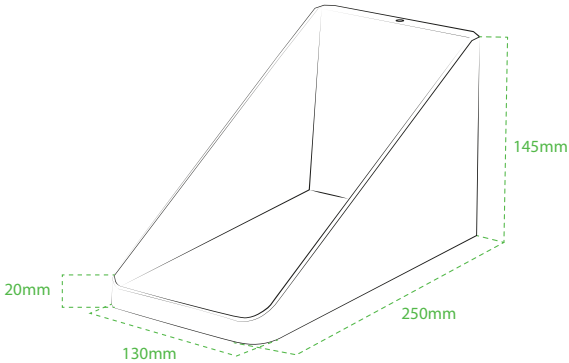
Technical Drawings

Wall Mount



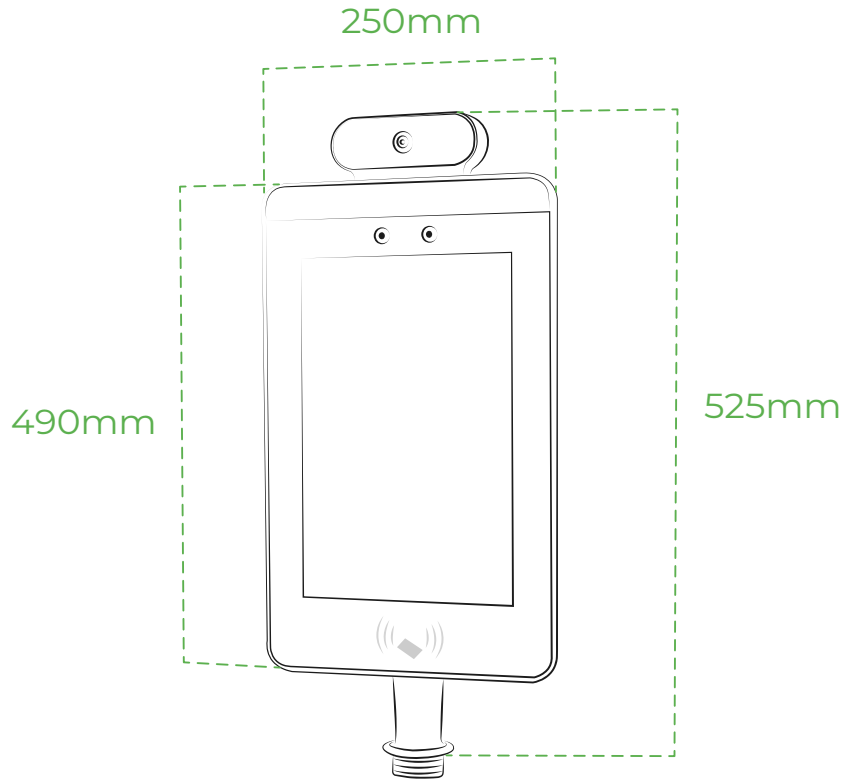
Technical Drawings

Printer mount



Technical Drawings

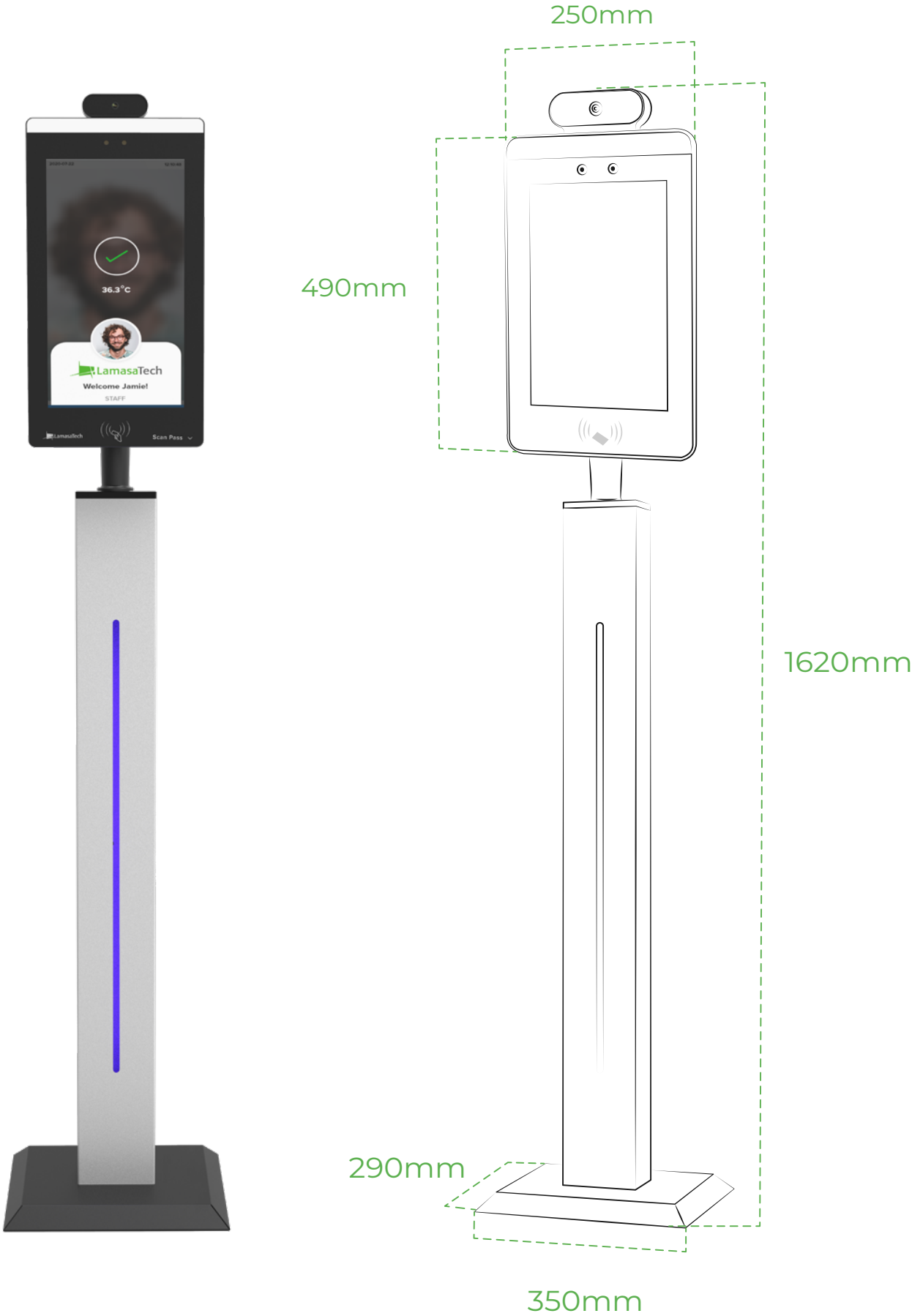
15" Surface Mount



160mm

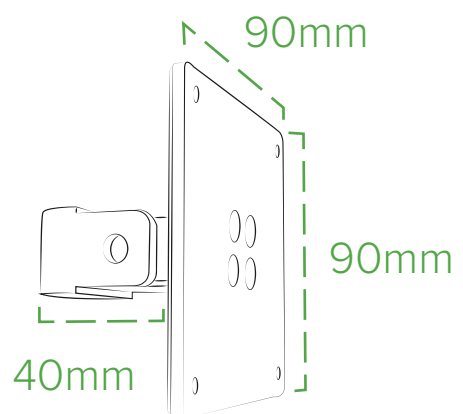
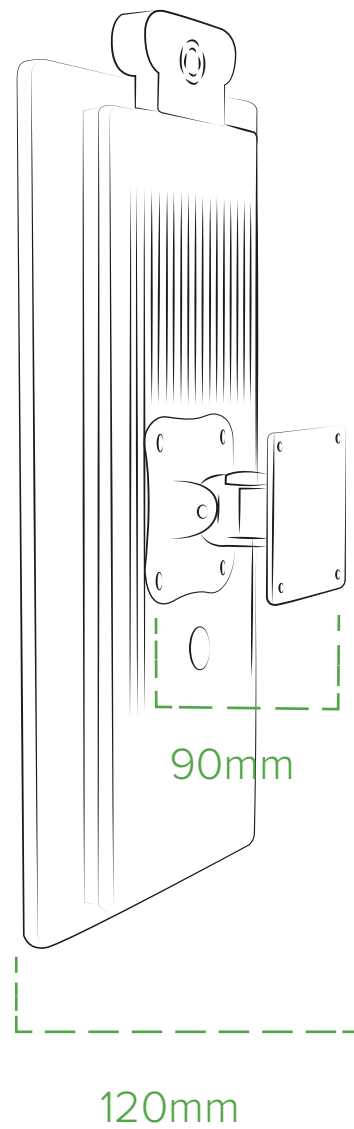
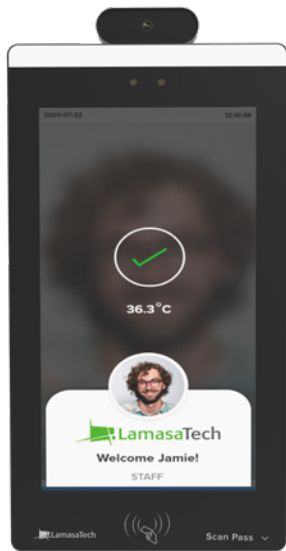
Technical Drawings

15" Freestanding floor mount



Technical Drawings

15" Wall mount



More technology solutions from LamasaTech...

Video walls



Kiosks and freestanding displays



PeakSignage digital signage platform



For more information on the products we offer please visit www.lamasatech.com



Contact us

UK: +44 (0) 191 341 0016

US: +1 (805) 308-9623

hello@lomasatech.com

lomasatech.com