



## Versi Outdoor Display

All-purpose digital signage display with optional PCAP touch screen for interactive applications.

[www.lamasatech.com](http://www.lamasatech.com)



# Elevate your outdoor messaging with ultra-high brightness digital signage

## Strong WiFi connectivity

The display features a dual band, high gain antenna for a strong WiFi connection.

## Weatherproof

With an IP66 rating it is built to be protected from the elements for consistent performance in varying weather conditions.

## 3500 nits ultra-high brightness

With an ultra-high brightness rating of 3500 nits, it is ideal for outdoor settings, ensuring your signage will be crystal clear even in bright sunlight.

## Slim bezel

Measuring at just 23 mm, the frame around the screen ensures maximum impact and no distractions from your content.

## Anti-glare toughened glass

The 5mm toughened glass is resistant to glare from natural and artificial lighting and is designed to withstand damage in public environments.

## Brightness sensor

Built in brightness sensor automatically adjusts to different daylight hours and levels.

## Portrait or landscape orientation

Mount the display in either orientation depending on your content and preferences.

## Touch or non-touch

Choose a passive non-touch display for advertising and signage or an interactive PCAP touch screen.





# Plug and play with the integrated Android 11 SoC

## Simple install

Install your outdoor displays with our simple hook and eye mounting system.

## Optional camera and microphone

Connect our custom designed camera and microphone module for customer service points and AI applications.

## Connect a mini PC

For applications that require a Linux/Windows PC, connect your own NUC PC with HDMI in. Mount your PC bracket neatly out of sight on the back of the display using our custom built bracket.

## Plug and play

Play your content via USB stick or run your application from the integrated Android 11 SoC.

## Auto power

In case of power cuts and outages the display will automatically power on when the power is re-instated.

## Weatherproof ports

Fitted with secure outdoor ports which will withstand environmental conditions, ensuring they do not become loose.

## Integrate easily into enclosures

Easily integrate into any outdoor enclosure or kiosk frame.



# Increase customer engagement with 24/7 signage

---

The Versi Outdoor display is a sleek digital signage display that will boost your advertising reach and engage your customers. It is ideal for a range of outdoor environments including retail stores, shopping malls, drive-through restaurants, tourist attractions and more.



## Touch screen

The optional PCAP touch screen offers interactivity for your audience, perfect for information points. They'll be able to interact with your signage in a memorable way - a benefit which traditional print signage cannot offer you.



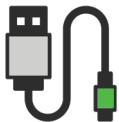
## Plug and play

Run your content or application in minutes using the embedded Android SoC. Alternatively, connect your own mini PC which can be housed neatly at the back of the display. Power your PC from the built-in DC power port with no additional power provision required (subject to required power consumption).



## Optional CMS

Control your digital signage remotely from any device with an internet connection by subscribing to our cloud-based digital signage system. Create new messages quickly with the drag-and-drop content builder and publish live on your displays in seconds.



## Connect accessories

Boasting several USB ports, the Versi Outdoor suits a range of requirements, allowing expansion with accessories such as camera and microphone, transforming your signage into a more interactive application for your audience.



## Customise your display

The Versi is suitable for installation in a range of outdoor enclosures and can be easily adapted for custom projects. Contact us to discuss your requirements.



## Robust components

Manufactured to the highest standards with commercial-grade components, the Versi is designed to run seamlessly 24/7 with an average lifespan of over 50,000 hours.



## 3-year warranty

The Versi Outdoor display is provided with a standard 3-year warranty included for your peace of mind.

# Transform your digital signage with our camera and microphone module

---

Complete your outdoor display with our HD camera and microphone module, perfect for:

- Audience and engagement measurement
- Customer service and AI applications e.g. customer help points using direct call connections
- Entertainment applications e.g. selfie and interactive AR photo booths

Adapt the camera angle easily from the top of the display using the adjustment wheels to set the best angle for your environment. The advanced facial recognition sensor ensures the user is in focus even when there are bad visibility conditions in the background, such as glare and backlight.

The camera uses a Sony IMX335 sensor which provides a better image clarity in low light conditions than normal cameras. It excels at automatically adjusting the exposure to provide clarity on a person's face, especially when there are strong environmental light conditions in the background, which allows customer service agents to see the customer clearly.

The advanced noise cancelling and echo cancelling microphones reduce background noise and maximise the voice level of the customer engaging with the display.



# Specifications

Model	Versi Outdoor Display		
Panel	Screen size	55"	
	Display resolution	1920x1080	
	Viewing angles	178°V / 178 °H	
	Colour depth	16.7M	
	Contrast ratio	1200:1	
	Brightness	3500 cd/m <sup>2</sup>	
	Response time	6ms	
	Lifespan	>50,000 hours	
	Display scale	16:9	
	Operation	24/7	
	Touch screen	Touch screen (PCAP)	
	Built-in player	CPU	RK3568
		RAM	2G DDR3
ROM		16G	
OS		Android 11	
Storage expansion		External TF memory card up to 64G	
Media format		Video-MP4, MPG, AVI, RM, RMVB, TS Image-BPM, JPEG, PNG, GIF	

**Power****Input voltage** AC 110V ~ 240V, 50/60Hz**Power consumption** ≤220W**Operating temperature** -10°C ~ 50°C / 14°F ~ 122°F**Storage temperature** -20°C ~ 60°C / -4°F ~ 140°F**Operation humidity** 10 ~ 90%**Storage humidity** 10 ~ 90%**Mechanical spec****Dimension (mm)** Refer to the drawing**Net weight (kg)** 39kg**Gross weight (kg)** 48kg**Protection glass** 5mm AG treatment toughened glass**IP certificate** IP66**Brightness sensor** Built-in light adjustment sensor**Interface****USB 3.0** \*2**USB 2.0** \*2**USB touch** \*1**HDMI input** \*1**HDMI output** N/A**RJ45** \*1**AC100-240V** \*1**12V DC output** \*1**Uboot button** \*1

# Camera module specifications

<b>Model</b>	<b>Versi Outdoor Camera</b>
<b>Optical Sensor</b>	1/2.5 inch CMOS SONY IMX335 Sensor
<b>Effective Pixels</b>	2594(H)*1944(V)
<b>Power supply</b>	USB 5V±5%
<b>Max frame</b>	30fps @ 1944
<b>Contrast ratio</b>	1200:1
<b>AEC\Gain\White Balance</b>	Automatic
<b>Stable working temperature</b>	(-10C-60C)
<b>Output Support</b>	1944P, 1080P, 720P, VGA, QVGA



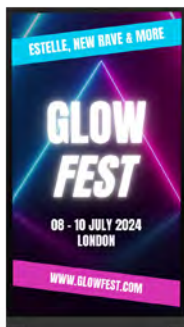
# Product codes

Product Name	Product Code
55" Versi Outdoor Digital Signage Display Non-Touch	LT-Versi55-OD
55" Versi Outdoor Digital Signage Display Touch	LT-Versi55-OD-PT

## The Versi outdoor range

The Versi Outdoor is a modular digital signage display available in a range of configurations to suit any outdoor screen requirement, whether you require a wall-mounted or freestanding display.

The freestanding models are available as single, dual or triple screens suiting all outdoor settings and can be configured as non-touch for advertising or PCAP multi-touch for interactive applications.



Outdoor single freestanding kiosk



Outdoor dual freestanding kiosk



Outdoor triple freestanding kiosk

# Endless possibilities

---

Designed with flexibility in mind, the Versi Outdoor architecture supports a wide range of requirements, whether you're looking for:

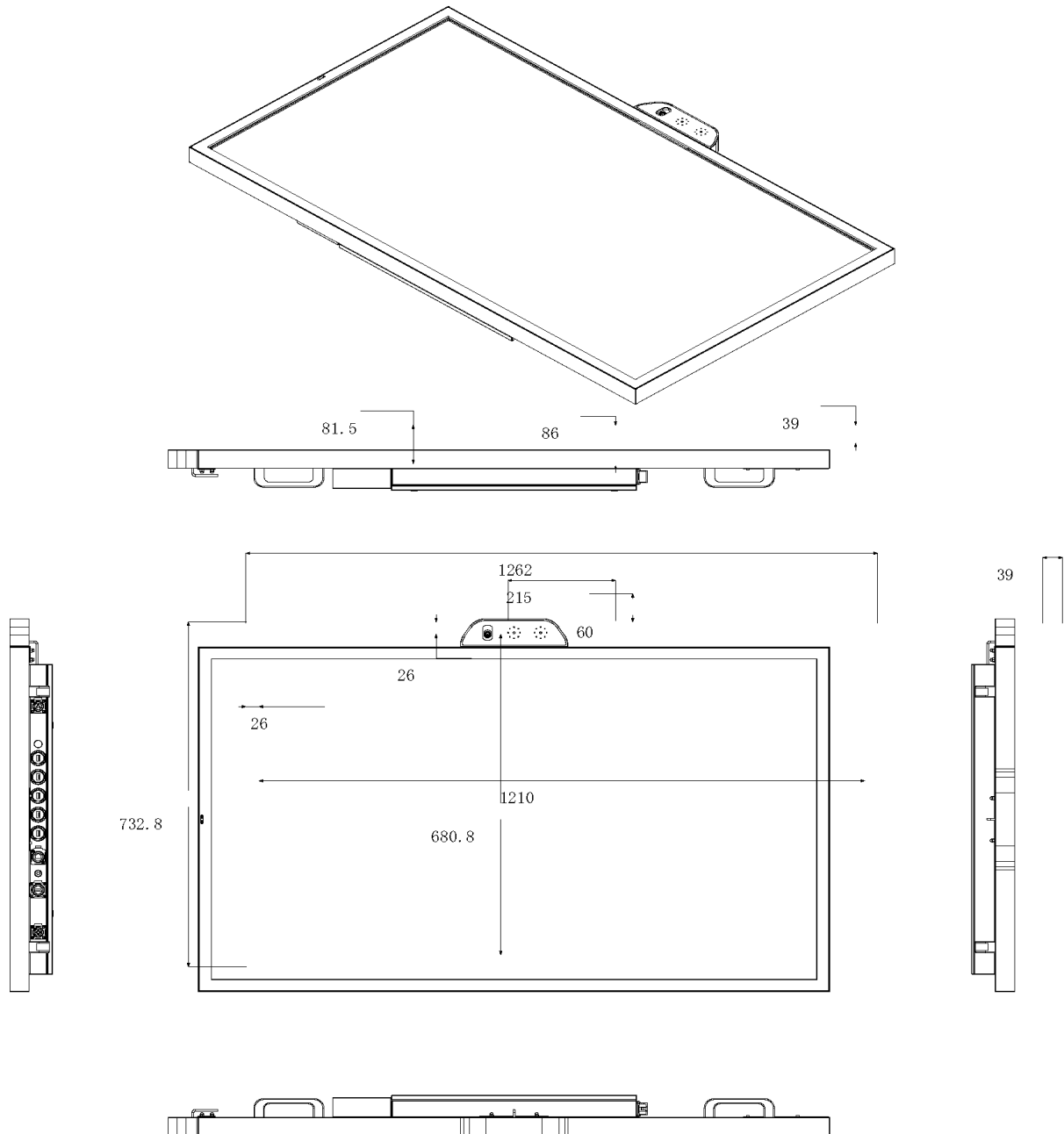
- menu boards
- public information and customer help points
- wayfinding and directory

The Versi display can be easily integrated into any outdoor enclosure or furniture, such as a kiosk frame, in landscape and portrait orientations.

With the USB ports, you can easily expand the display functionality with accessories including our microphone and camera module. Power your accessory from the built-in DC power port with no additional power provision required (subject to required power consumption).

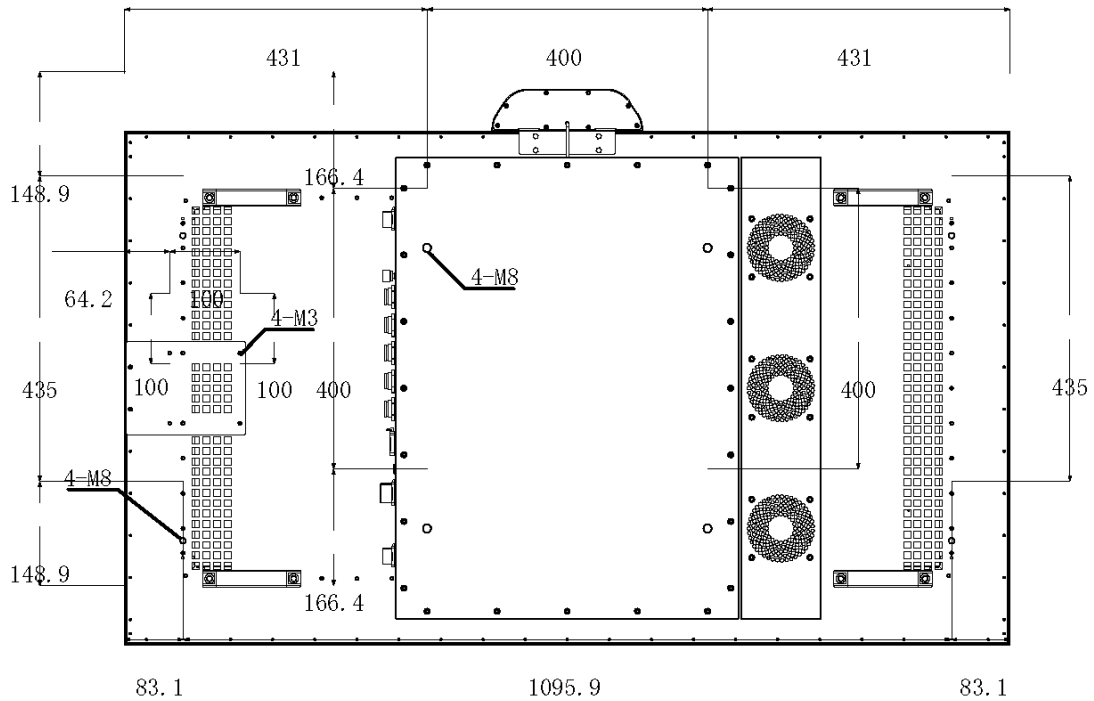
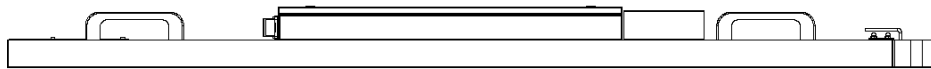
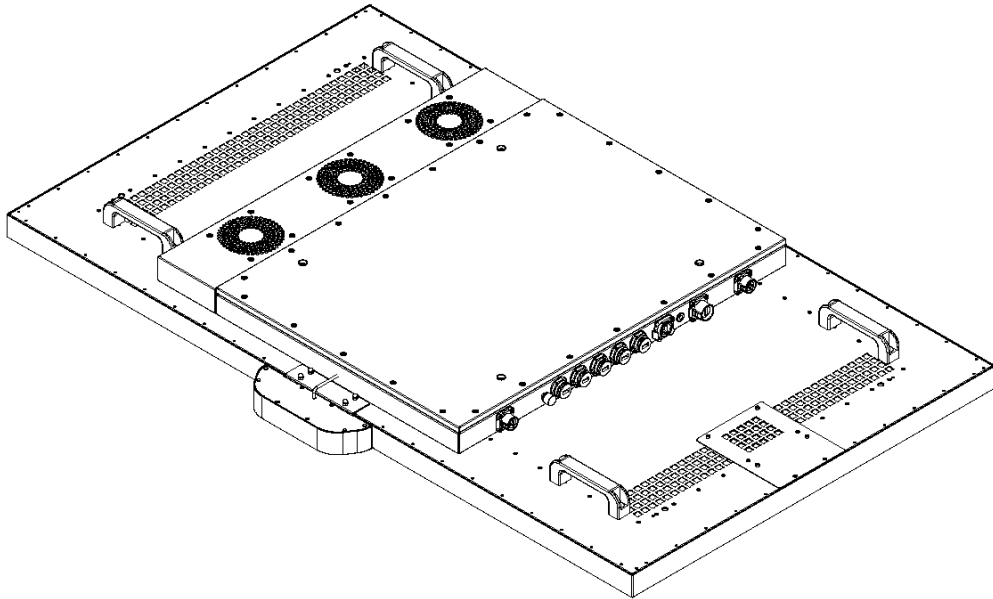
# Technical drawings - 55" Versi Outdoor Display

All measurements specified are in mm.



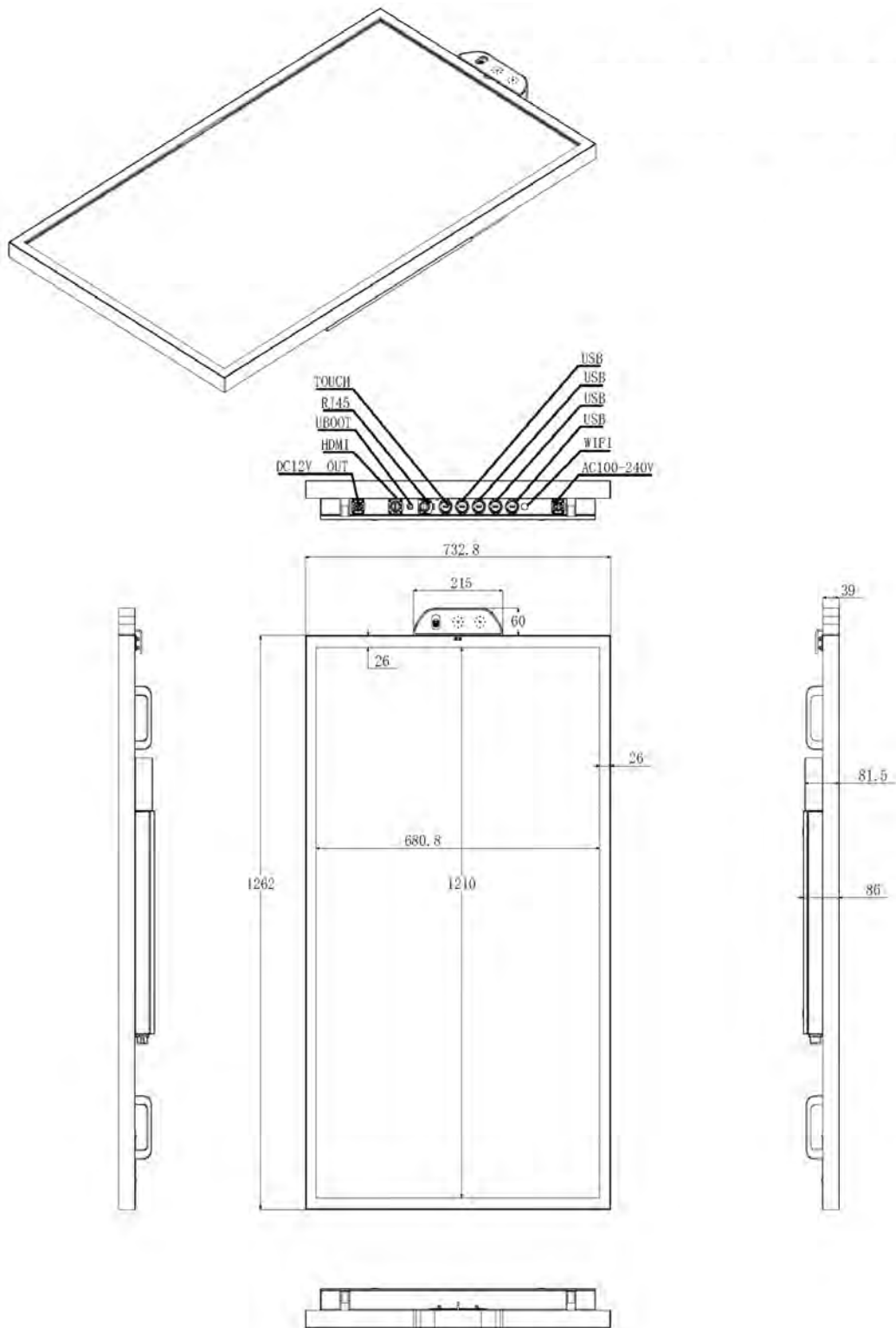
# Technical drawings - 55" Versi Outdoor Display

All measurements specified are in mm.



# Technical drawings - 55" Versi Outdoor Display

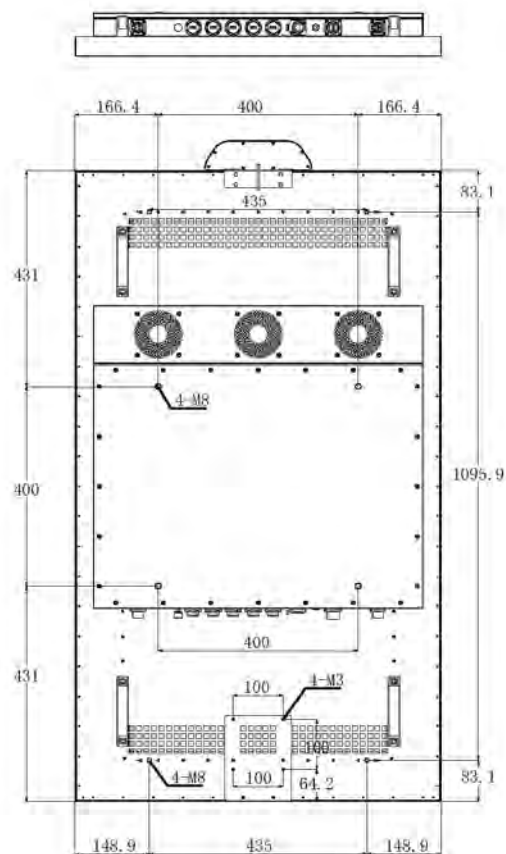
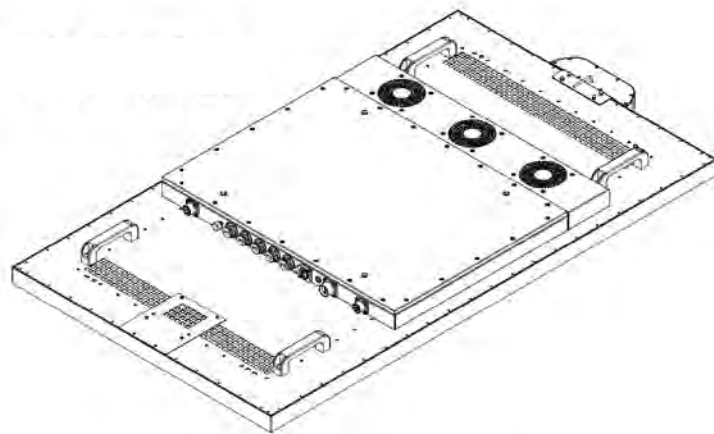
All measurements specified are in mm.





# Technical drawings - 55" Versi Outdoor Display

All measurements specified are in mm.



# More technology solutions from LamasaTech...

## Versi indoor digital display



## Digital window displays



## Digital signage platform



For more information on our digital solutions please visit [www.lamasatech.com](http://www.lamasatech.com)



## Contact us

---

UK: +44 (0) 191 622 0725

US: +1 (805) 308-9623

[hello@lomasatech.com](mailto:hello@lomasatech.com)

[lomasatech.com](http://lomasatech.com)